

PROCESSMAKER

# Introduction to Business Process Modeling and Notation

“BPMN”



Enabling ChangeMakers to build and automate complex, enterprise-level processes in order to make every second count.

# Agenda



● <b>Introductions</b>	02
● <b>Who We Are</b>	03
● <b>What is BPMN</b>	04
● <b>Common Tools</b>	05
● <b>Draw a Business Process - Exercise</b>	06

PROCESSMAKER

# Introductions



★ Designed by TownMapsUSA.com

212 W Main St #300, Durham, NC 27701



**Joy Youngman**

*Product Manager - Higher Education*

[Connect with me on LinkedIn](#)

joy.youngman@processmaker.com

**PROCESSMAKER**

**Kevin Mullen**

*Director of Higher Ed Sales*

kevin.mullen@processmaker.com

**PROCESSMAKER**

# Who We Are



To deliver on our ...

## MISSION

*Empower ChangeMakers to simplify the way custom business processes are built and run.*



To be true to our ...

## VISION

*There is always a better way.*



To serve our ...

## PURPOSE

*Make Every Second Count.*

**Enabling ChangeMakers to build and automate complex, enterprise-level processes in order to make every second count.**



# ProcessMaker At-A-Glance

Founder led software company focused on automating mission critical business processes



Users Love Us

Leader (Enterprise, Mid-Market, Small Business)

High Performer (Enterprise, Mid-Market, Small Business)

Momentum Leader

Easiest To Do Business With (Small Business)

//CODiE// 2020 SIIA CODIE AWARDS

Gartner peerinsights 5 stars

Gartner Market Guide for Intelligent Business Process Management Suites, 2020





### ProcessMaker

ProcessMaker is the workflow and BPM software that powers Ellucian Workflow. Spend less time doing paperwork and bureaucratic tasks and more time helping students. A powerful routing and approvals engine and modern design means faster delivery of integrated workflows and an improved constituent experience, making the entire institution more efficient.

[Visit partner website](#)

PLATINUM PARTNER

PARTNER TYPE

**Technology**

PARTNER CATEGORY

**Technology Platform**



# What is a Business Process?

Gartner defines business process as an event-driven, end-to-end processing path that starts with a customer request and ends with a result for the customer. Business processes often cross department and even organizational boundaries.



# What are some business processes that you perform every day?

---

Transfer Credit Evaluation

Event Management

Grade, Major, Class Schedule Changes

Travel & Expense

HR Onboarding/Offboarding

User Account Requests

Maintenance Requests



[Explore 150+ higher education processes that have been improved by process management](#)



# Where is the institutional knowledge of these processes?

Often times, business processes are buried in people's heads, as well as in manuals, rules, laws, and worksheets.

These inevitably get created and exist in any business, generally without enough governance around their long-term maintenance.





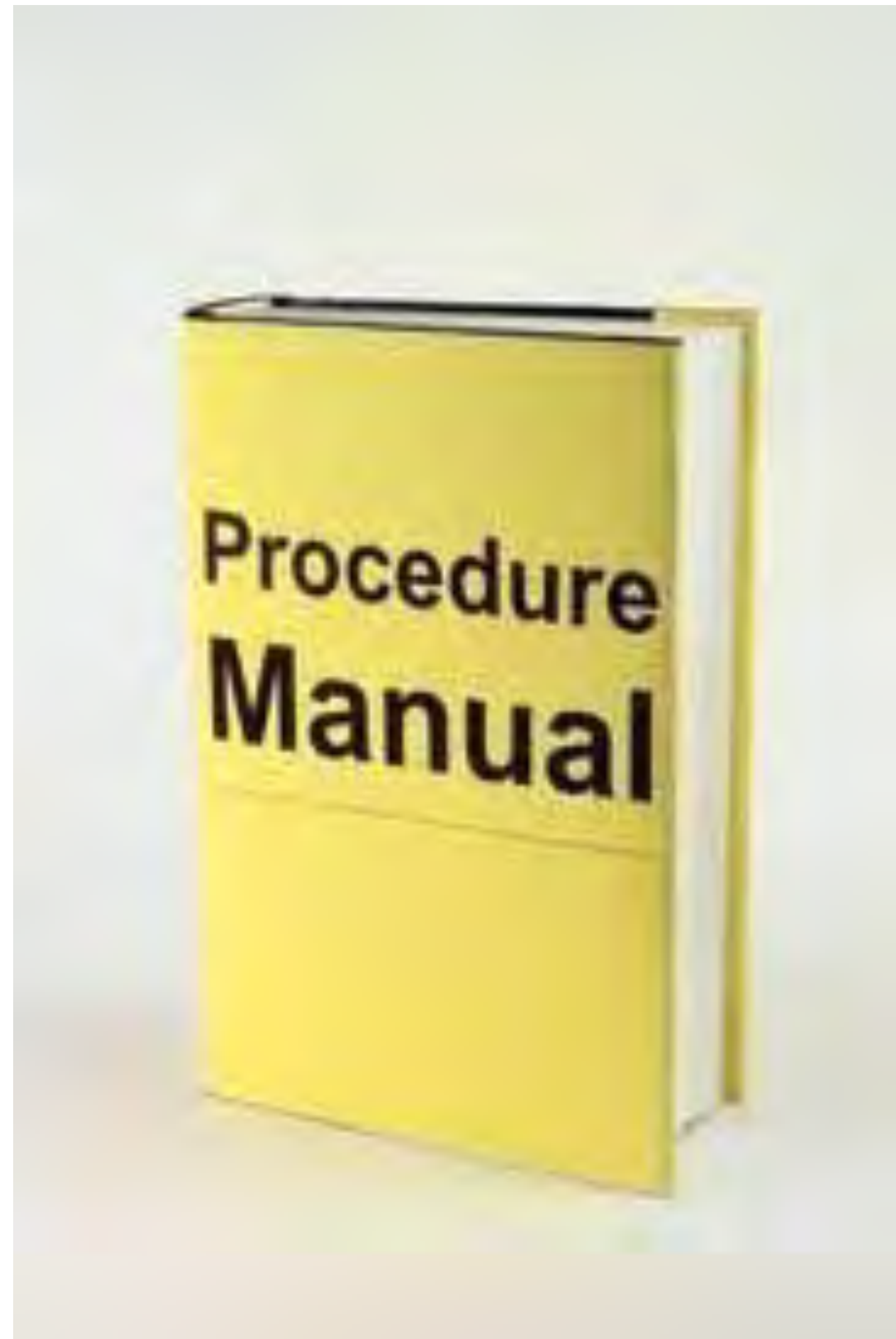
# What is Business Process Management?

The practice of codifying, optimizing, and continuously improving operations or processes – especially of the sort that would otherwise be thought of as ad hoc solutions or the type of “institutional IQ” that walks out the door when people leave.

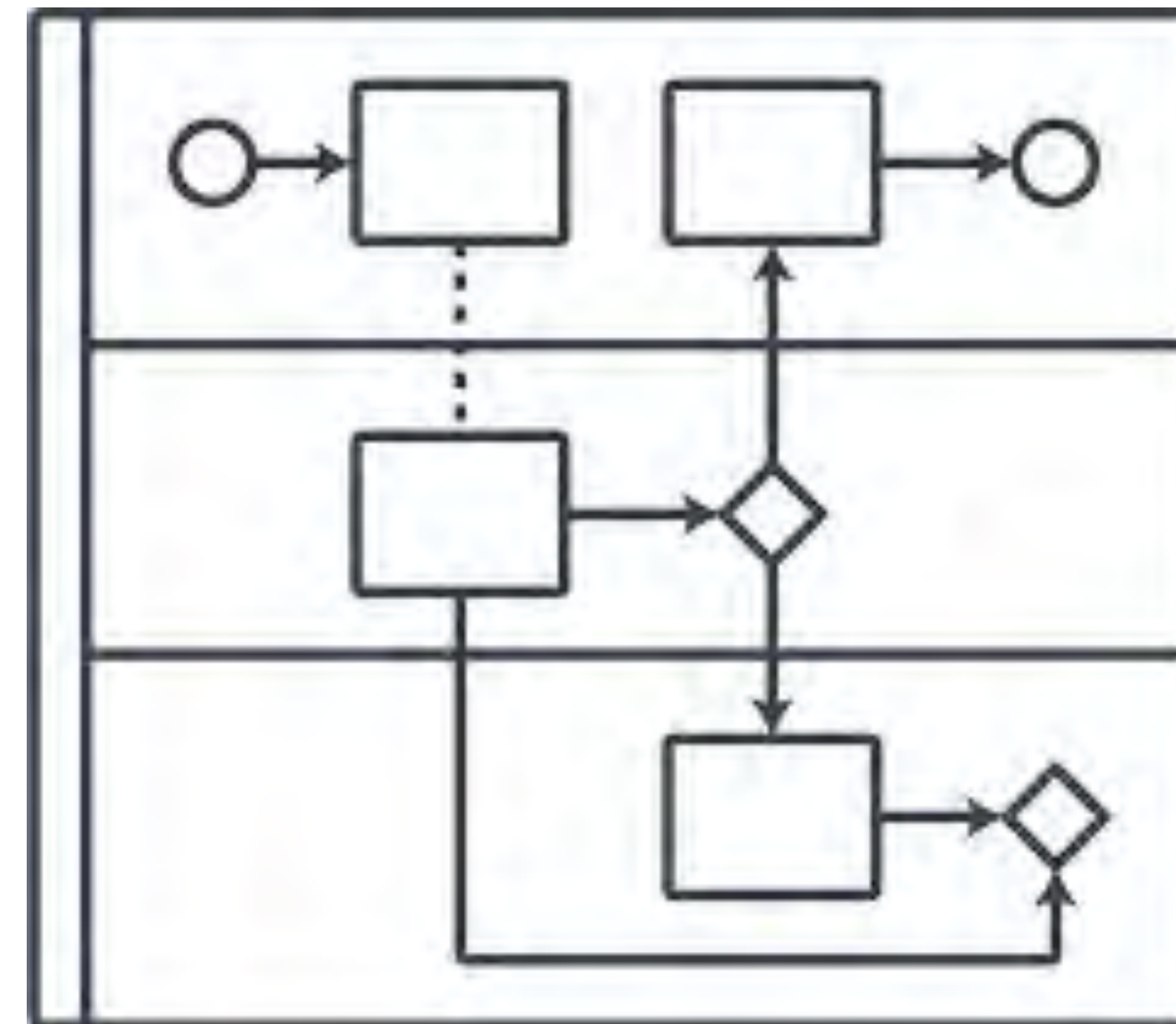




# Which is easier to quickly grasp?



OR





# Why BPMN 2.0?

1. Business Process Modeling + Notation
2. Common Language to document business processes
  - a. Provides a way of organization/framework
  - b. Symbols
3. Easy for Business Users as well as Technical Users

# Elements of BPMN 2.0

Pools

Swim lanes

Events

Tasks

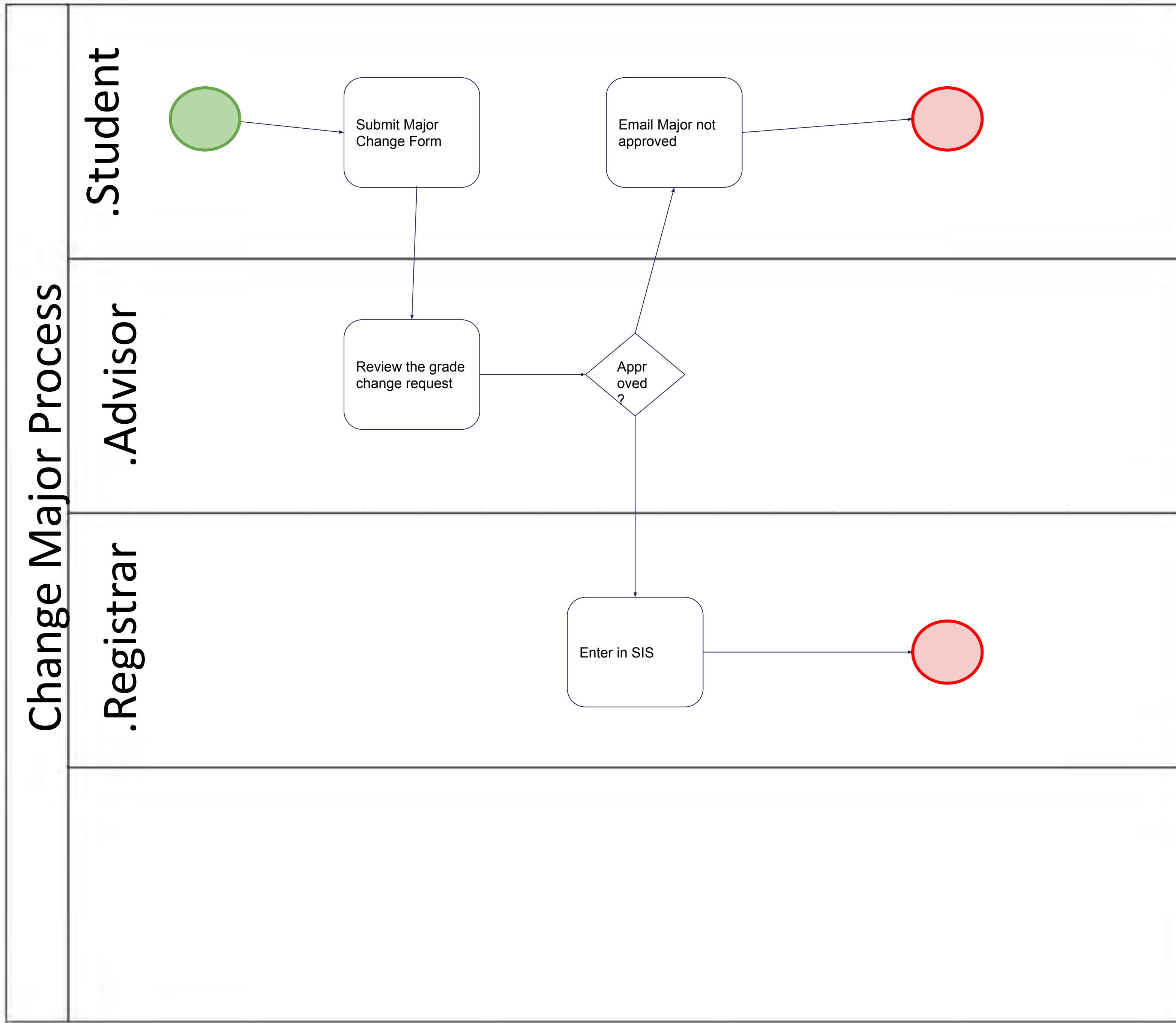
Gateways

Data Stores

Legend:



**Legend:**





# Free Tools to Draw Process Diagrams

---

Pen and Paper

Powerpoint/Google Slides

Microsoft Visio

Lucid Chart

Camunda

# Learn More about BPMN from ProcessMaker

---

[ProcessMaker BPMN Tutorial and Examples](#)

[What is the BPMN 2.0 Standard?](#)

[ProcessMaker University - BPMN Certification Course](#)

Create a free account to access the certification course.

# Use Cases

---





# Digital Process Automation in Higher Education

Examples of processes created by higher education customers using the ProcessMaker platform

## ADMISSIONS

- Admissions Application
- Application Change Request
- Dual Enrollment Application
- Early Admissions Application
- Free Application
- Fast Track Application
- Graduate School Program Admission
- Non-Matriculate Student Application
- Re-Entry Application
- International Student Application
- International SEVIS Update Data Survey
- Deposit Tracking
- Deposit Refund Request
- Enrollment Orientation

## CUSTOM ADMISSIONS APPLICATIONS

- CCAMPIS Application (Child Care Access Means Parents in School)
- Electrical Apprenticeship Application
- Engineering Fast-Track Application
- Health Sciences Collegiate Academy Application
- Nursing Application

## FINANCIAL AID

- Financial Aid Loan Request
- State Residency Declaration
- Applicant Statement
- Federal Direct Loan Request Form
- Unsubsidized Loan request - Dependent Student
- Unsubsidized Loan request - Independent Student
- Internal Lending Program
- Tuition Assistance Form
- CARES Act Application
- Scholarship Application Recommendation Form
- Scholarship Acceptance
- Youth Development Scholarship Form
- Award Appeal/Professional Judgement
- Satisfactory Academic Progress

## ACADEMIC AFFAIRS

- Application for Graduation
- Accessibility Exception Request
- Accessibility/Disability Intake Form
- Instructor Qualification Form
- Internal Course Review Agreement
- Student Learning Evaluation
- Academic Standing Appeal
- Administrative Appeal
- Area Substitution
- Request to Use QM High-Quality Course Shell

## REGISTRATION AND RECORDS

### TRANSFER CREDIT

- Transfer Credit Evaluation Process
- Credit by Exam
- Engineering Fast-Track Articulation
- Graduate Admission Transfer Articulation
- RN to BSN Articulation
- Undergraduate Admission Transfer Articulation

### STUDENT REGISTRATION

- Add/Drop Course
- Change of Concentration/Program
- Change or Declare Major, Minor, Program
- Late Course Drop
- Grade Change
- Incomplete Grade Agreement Request
- Pre-requisite Override
- Summer Course Registration
- Intra-University Registration

### STUDENT RECORD MANAGEMENT

- Change of Name
- Change Biographical Data
- Maintain Social Security Number
- Preferred Name
- Future Leave of Absence
- Early Withdrawal
- Withdraw from Term
- Withdrawal from Dual Enrollment and Athletes

### COURSE MANAGEMENT

- Course Cancelation
- Change Instructor
- Course Substitution
- Curriculum Change
- Enrollment Exception
- Professional Support Course Request
- Request Overload Approval

### FERPA

- Enrollment Verification Request
- Consent to Release Student Information
- Request for Non-Disclosure of Directory Information

### ACADEMIC CALENDAR MANAGEMENT

- Request for Alternate Version
- Review Changes in Term Length

### VETERANS

- Veteran 60-day Tuition Deferment Form
- Veteran's Affairs Schedule Approval Form
- Veteran's Benefit Certification
- Veterans Registration Reporting



# Digital Process Automation in Higher Education

Examples of processes created by higher education customers using the ProcessMaker platform

## STUDENT AFFAIRS

- Preference Student Housing Application
- Housing Claim Form
- Immunization Records
- Immunization Reinstatement
- Career Services Student Information

## STUDENT ACCOUNTS

- Tuition Waiver Request
- Payment Agreement - Past Due Balances
- Lab or Other Fee Approval Form
- Out-of-State Tuition Waiver FLHS Grads
- Student Health Insurance Waiver
- Student Reinstatement Notice

## FACILITIES MANAGEMENT

- Campus Event Request
- Keycard Access Request
- Parking Request
- Parking Fee Waiver
- Receiving Report

## INFORMATION TECHNOLOGY & SECURITY

- Account Provisioning
- IT Security Request
- SIS/ERP Account Request
- Decommission Accounts
- Computer/Laptop Request
- Request for Table Modification
- Consultant Confidentiality Agreement
- Request for Temporary Service
- Vendor Request
- Whats my username?
- Audit Change Request
- New Workflow Request Form
- Workflow Update/Change Request

## FINANCE & ACCOUNTING

- Travel Expense Reimbursement
- Annual Budget Request
- Budget Amendment/Journal Entry
- Credit Card Expense Report
- Credit Card/Sunpass Sign-Out Request
- Property Surplus
- Property Disposal

## OTHER CUSTOM PROCESSES

- Grants/Sponsored Programs
- Intent to Submit
- OSP Transmittal Form
- Proposal Routing
- Quarterly Verification - Personnel Certified Report
- Time and Effort Reporting
- Foundation Special Project Grant Proposal
- GPS - Alumni: Information Request Form
- Kid's College Instructor Availability
- Request for Admissions Representatives
- Request to Advertise
- Secure File Upload - Admissions
- Website Announcement Request
- Youth Development Class Change Request
- Youth Development Contact Form

## HUMAN RESOURCES

### HIRE

- Approval to Hire
- Refill Position
- Request to Hire Adjunct Faculty
- Staff Position Transaction Process

### ONBOARDING

- Onboarding
- Employee Direct Deposit Information
- Employee Keycard

### OFFBOARDING

- Employee Separation
- Employee Termination
- Exit Checklist

### BENEFITS

- Sick Leave Donation Authorization Form
- Post Workflow Benefits
- Tuition Waiver Form:
- Employee/Spouse/Dependent Staff Program Development Application
- Leave Request

### PAYROLL

- Direct Pay
- Payment/Refund/Transfer fund request

### FACULTY

- Faculty Credentialing Report

### OTHER/CUSTOM

- Equity Issue Report & Request for Appointment
- HB39 (Truth in Salary) Employee Select
- Public Records Exemption Request
- COVID Exposure Reporting Form
- COVID Vaccination Survey
- COVID Contact Tracing Worksheet
- COVID Vaccination Submission Form
- COVID Vaccination Submission Form - Student
- COVID Authoriztion
- COVID Emergency Fund Application
- Vaccination Incentive Plan
- Flex Schedule Request Form
- Telecommuting Request Form

### STUDENT EMPLOYMENT

- Work Study Application
- Open/Close Work Study Applications for Term



# Questions?

EASILY AUTOMATE COMPLEX WORKFLOWS WITH PROCESSMAKER.

